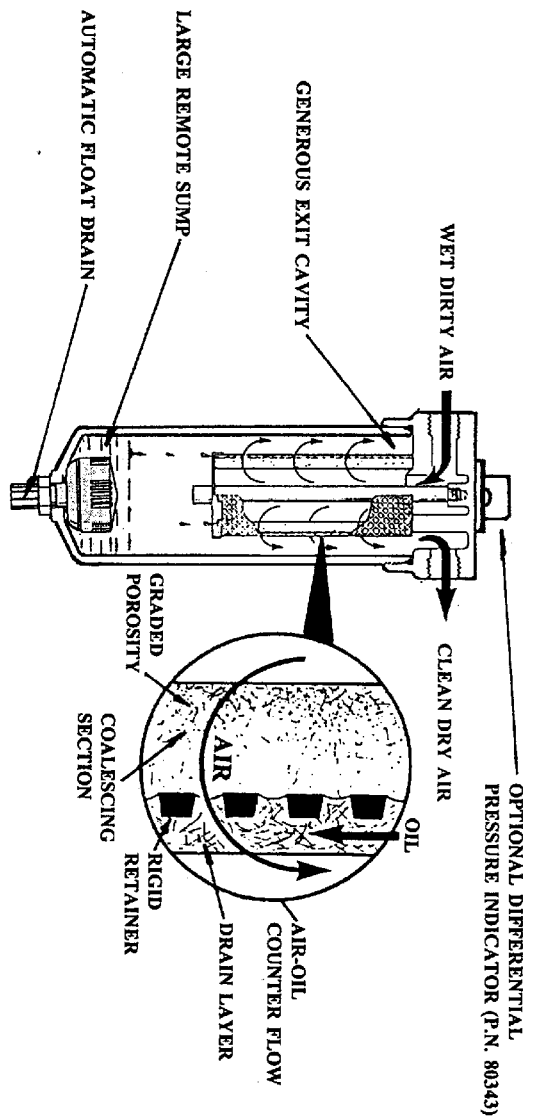


# MST'S OPTIONAL PREFILTERS

(FOR MST'S "RP" AND "BA" SERIES)

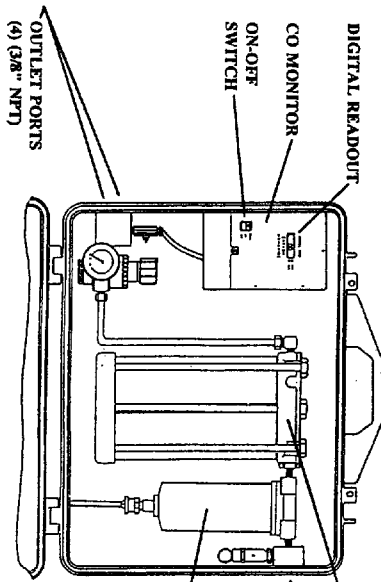


OPTIONAL DIFFERENTIAL  
PRESSURE INDICATOR (P.N. 80343)

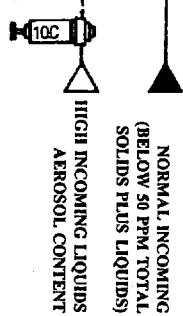
| MST. OPT. PREFILTER PART NOS. | REPLACE- MENT ELEMENT PART NO. | OPTIONAL DIFF-PRESS INDICATOR PART NO. | ELEMENT GRADE DESIGNATOR | D.O.F. EFFICIENCY 3-6 MICRON PARTICLES | PRESSURE DROP PSID @ RATED FLOW * |                         | MAXIMUM AEROSOL PARTICLE PASSED | MAXIMUM SOLID PARTICLE PASSED | ** FLOW RATES: SCFM @100 PSIG PRESSURE DROP 1-1 1/2 PSID MEDIA DRY | ** MAX. PRESS. (PSI) | ** MAX. TEMP. (°F) |
|-------------------------------|--------------------------------|--|--------------------------|--|-----------------------------------|-------------------------|---------------------------------|-------------------------------|--|----------------------|--------------------|
|                               |                                |  |                          |  | MEDIA DRY                         | MEDIA WET 10-20 WT. OH. |                                 |                               |  |                      |                    |
| 8009002                       | 80310                          | 80343                                  | 10C                      | 95%                                    | 1/2                               | 1/2-3/4                 | 2 (4 m)                         | 7 (4 m)                       | 66   | 250                  | 175                |
| 8010401                       | 80066                          | 80343                                  | 10C                      | 95%                                    | 1/2                               | 1/2-3/4                 | 2 (4 m)                         | 7 (4 m)                       | 133  | 250                  | 175                |

\* AT RATED FLOW DEPENDING ON FILTER SPECIFICATION  
 \*\* WHEN 80343, (DP KIT), ORDERED; MAX. PRESS., 150 PSI; MAX TEMP., 150°F  
 \*\*\* FILTER CHANGE RECOMMENDED WHEN PRESSURE DROP IS BETWEEN 8-10 PSIG.

# MST'S OPTIONAL PREFILTER APPLICATION DATA



INLET PORT (1) (3/8" NPT)  
AIR SCRUBBER  
ALL MST "RESPIRATORY PROTECTOR"™ AND "BREATHING AIR PANEL"™ SERIES USE ELEMENT GRADE PARTICULATE REMOVAL & SECOND STAGE LIQUID AEROSOL COALESCING.



**POINT-OF-USE LOCATION**  
NOTE: LOCATE FILTER AS CLOSE TO PROCESS AS POSSIBLE. AS PIPING MAY CONTAIN CONTAMINATION.

**TABLE 1. MEDIA SPECIFICATIONS.**

| ELEMENT GRADE DESIGNATION              | APPLICATIONS   |   | D.O.F. EFFICIENCY 3 TO 6 MICRON PARTICLES | PRESSURE DROP* PSID @ RATED FLOW * |                          | MAXIMUM AEROSOL PARTICLE PASSED | MAXIMUM SOLID PARTICLE PASSED |
|--|--|---|---|------------------------------------|--------------------------|---------------------------------|-------------------------------|
|  | GENERAL  | SPECIFIC  |   | MEDIA DRY                          | MEDIA WET W/O 20 WT. OIL |                                 |                               |
| ** 6 QU USED IN ALL MST UNITS          | General air coalescing applications when "total removal of liquid aerosols and suspended fines" is required in the pressure range from 60 to 150 psig. | Protection of air gaging, air control circuits, modulating systems, critical air conveying most breathing air systems, etc. | 99.97%                                    | 1 - 1 1/2                          | 2 - 2 1/2                | 75 (µm)                         | 3 (µm)                        |
| 10 C USED IN MST'S OPTIONAL PREFILTERS | Pre-coalacer or pre-filter for Grade 6 to remove gross amounts of aerosols, or tenacious aerosols which are difficult to drain.                        | Upgrading existing particulate equipment to coalescing without increase in pressure drop.                                   | 95%                                       | 1/2                                | 1/2 - 3/4                | 2 (µm)                          | 7 (µm)                        |

\* AT RATED FLOW, DEPENDING ON FILTER SPECIFICATIONS.  
\*\* MEETS UL586 SPECIFICATION FOR "HEPA FILTER" (HIGH EFFICIENCY PARTICULATE AIR FILTER)