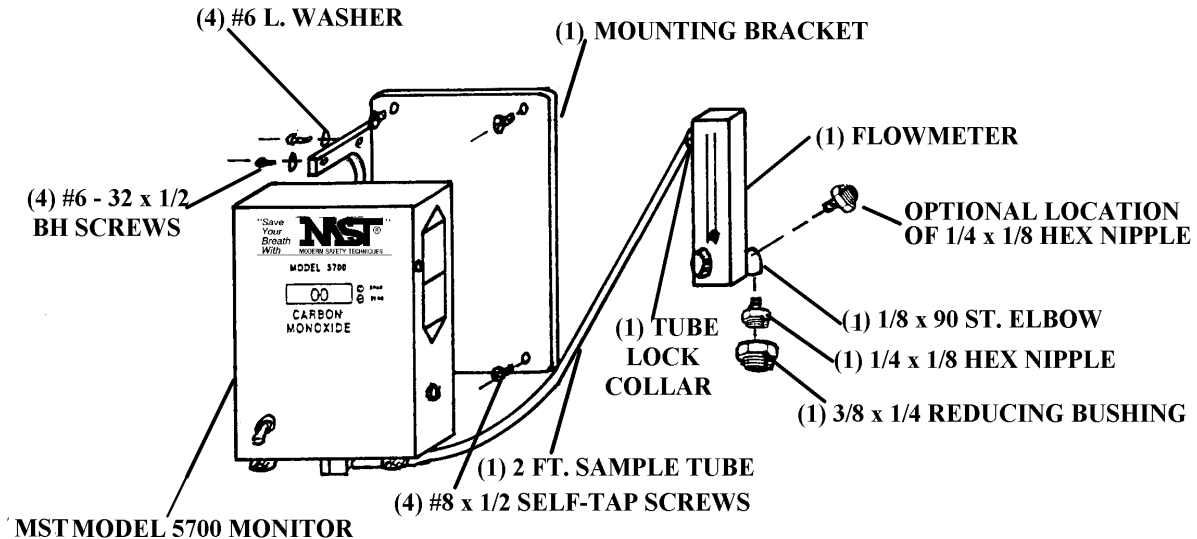


MST RETROFIT PACKAGE P.N. 8033902

The MST, Inc. Model 5700 Carbon Monoxide (CO) Monitor and Alarm is a side mounted, battery powered unit. The monitor has been designed, and is certified by the Canadian Standards Association (CSA LR-104195) to be INTRINSICALLY SAFE FOR USE IN CLASS 1, DIVISION I, GROUPS A,B,C&D when used with two "9V" alkaline transistor type batteries.



Includes 80127 monitor with the necessary parts to mount on an existing Breathing Air Panel

SPECIFICATIONS

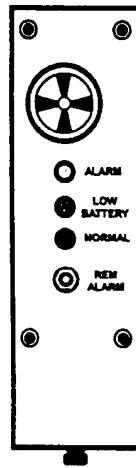
RANGE:	0-199 PPM CO
INITIAL ALARM SETTING:	U.S.: 10 PPM CO Canada: 5 PPM CO
DETECTOR TYPE:	ELECTROCHEMICAL CELL
POWER:	9 V ALKALINE BATTERY (Transistor type) - 2 each

MST 5700 MONITOR

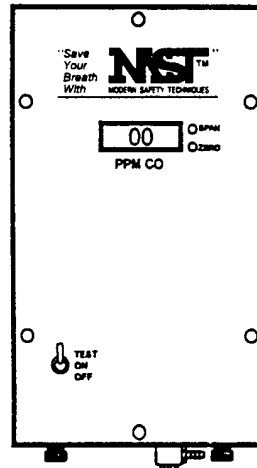
P.N. 80127



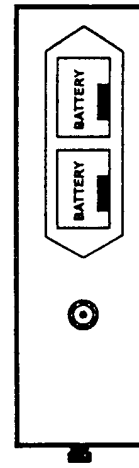
- Audible Alarm (85 dB(A) at 1 Ft.)
- Visual Alarm
- Low Battery Indicator
- Power Jack



LEFT SIDE



FRONT VIEW



RIGHT SIDE

OPTIONAL ACCESSORIES

80123	12 VDC Battery Adapter (Voids Intrinsic Safety)
80247	120 VAC Adapter (Voids Intrinsic Safety)
8008403	Remote External Alarm
8008503	Remote External Strobe
8013501	Rechargeable Battery System
8039601	Air Horn Alarm System