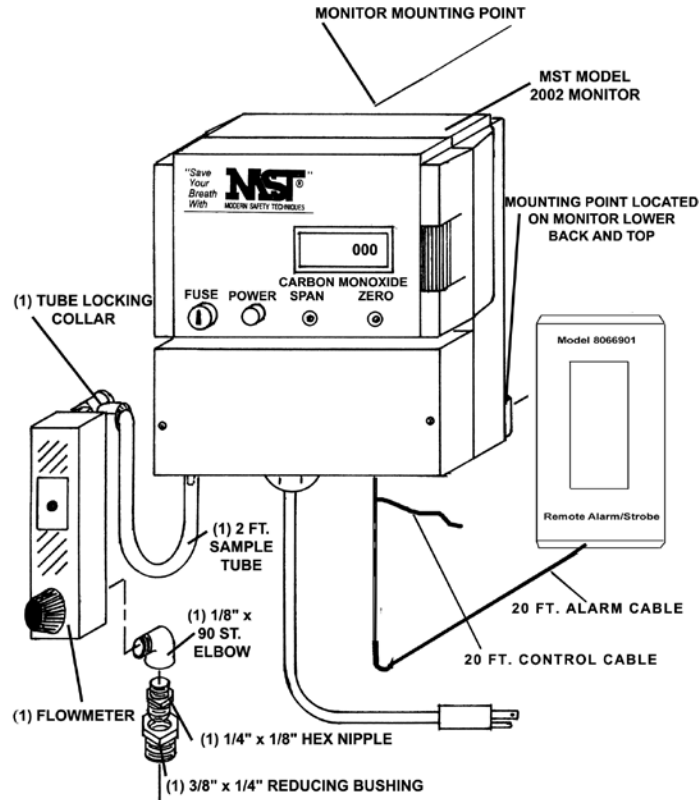


MST RETROFIT PACKAGE

P.N. 8007709

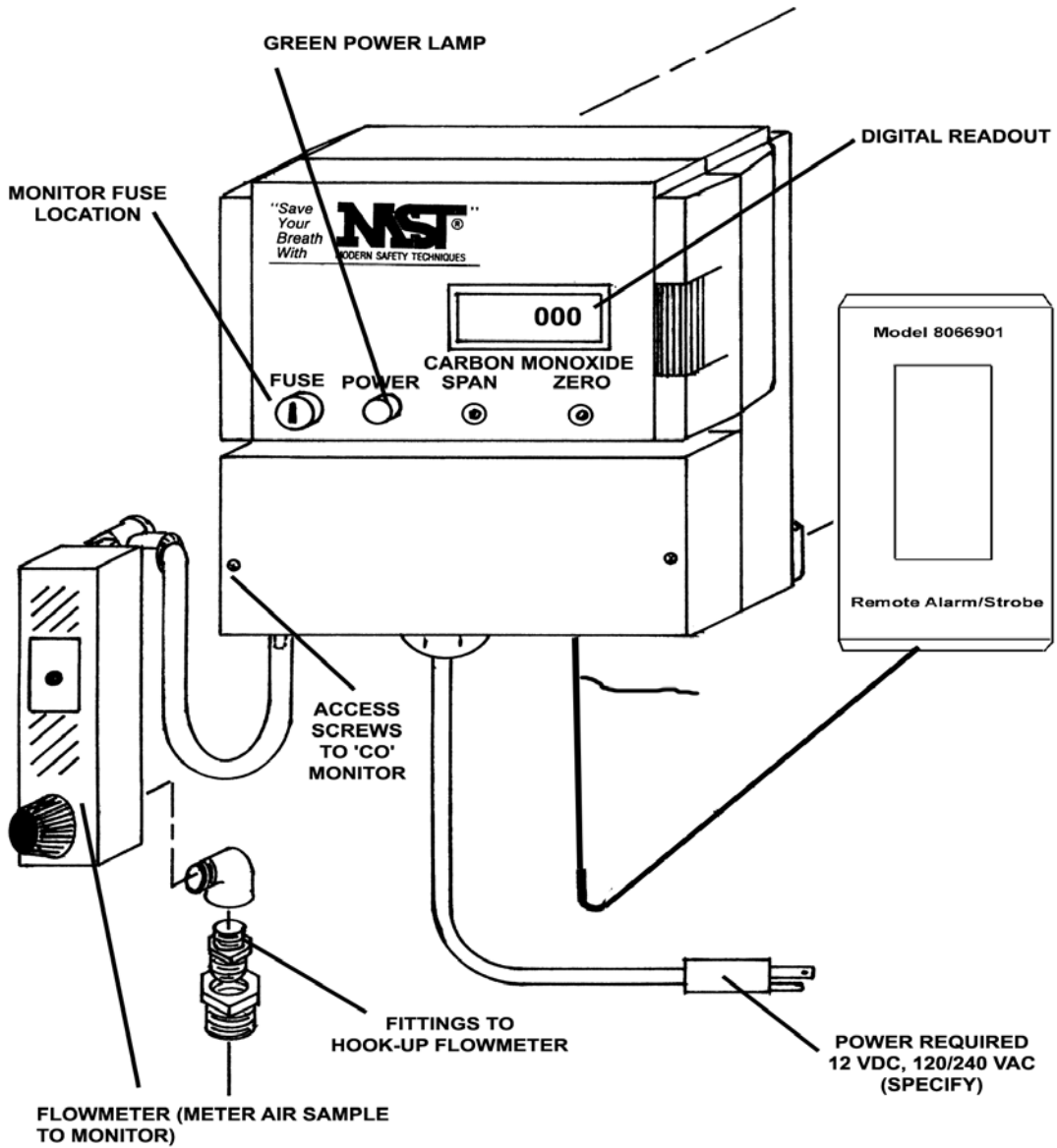
The MST, Inc. Model 2002 Carbon Monoxide (CO) Monitor is a monitoring system for gas analysis. The monitor is housed in a NEMA 4 enclosure with a clear front panel lid. The monitor has a digital readout, dual stage alarm relays, remote alarm jack for audible alarm and can be powered by 12 VDC, 120/240 VAC, as specified.



SPECIFICATIONS

DIMENSIONS	8" x 6.2" x 3.7" (200mm x 155mm x 92.5mm)
WEIGHT	APPROX. 2.2 lbs. (1 Kg)
ENCLOSURE	NEMA 4 rated with latching cover
DISPLAY	11 mm LCD single line display
ACCURACY	+/- 5% of reading
MEASURING RANGE	0 -199 PPM in 1 PPM increments
POWER SUPPLY	12 VDC, 120/240 VAC-50/60 Hz (Factory Configured)
ALARM RELAYS	Two, non-voltage, normally open and normally closed contact. One relay is utilized to power remote alarm jack.
LOAD	5 amp, 250 VAC 5 amp, 30 VDC
SENSOR TYPE	ELECTROCHEMICAL: Carbon Monoxide
RATING	Non-Intrinsic safe design, NEMA 4 rating only

MST RETROFIT PACKAGE P.N. 8007709



OPTIONAL ACCESSORIES

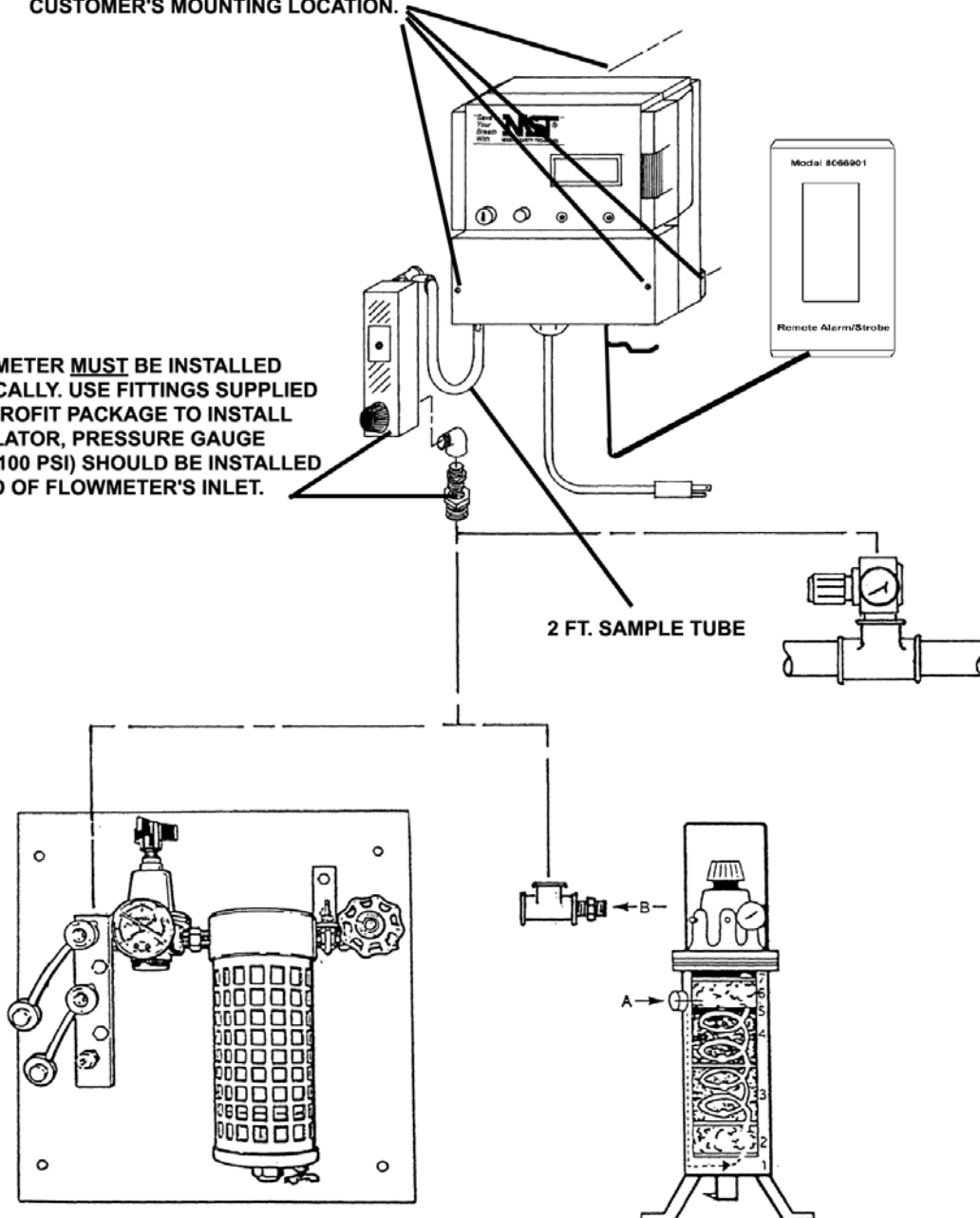
80045	Replacement Electrochemical CO Sensor
8003101	Small Calibration Kit
8003102	Large Calibration Kit

MST RETROFIT PACKAGE P.N. 8007709

MOUNTING INSTRUCTIONS

REMOVE MONITOR'S LOWER ACCESS COVER (2 SCREWS) AND INSERT A PAN HD PHILLIPS SS SCREW (#8-18 x 1" LG) AT EACH CORNER MOUNTING SLOT. SLIDE THE MONITOR'S TOP MOUNTING SLOT ONTO THE TOP MOUNTING SCREW (#8-18 x 1/2" LG). NOW FIRMLY TIGHTEN MONITOR'S BOTTOM SCREWS TO CUSTOMER'S MOUNTING LOCATION.

FLOWMETER MUST BE INSTALLED VERTICALLY. USE FITTINGS SUPPLIED IN RETROFIT PACKAGE TO INSTALL REGULATOR, PRESSURE GAUGE (MAX. 100 PSI) SHOULD BE INSTALLED AHEAD OF FLOWMETER'S INLET.



MST RETROFIT PACKAGE, P.N. 8007709

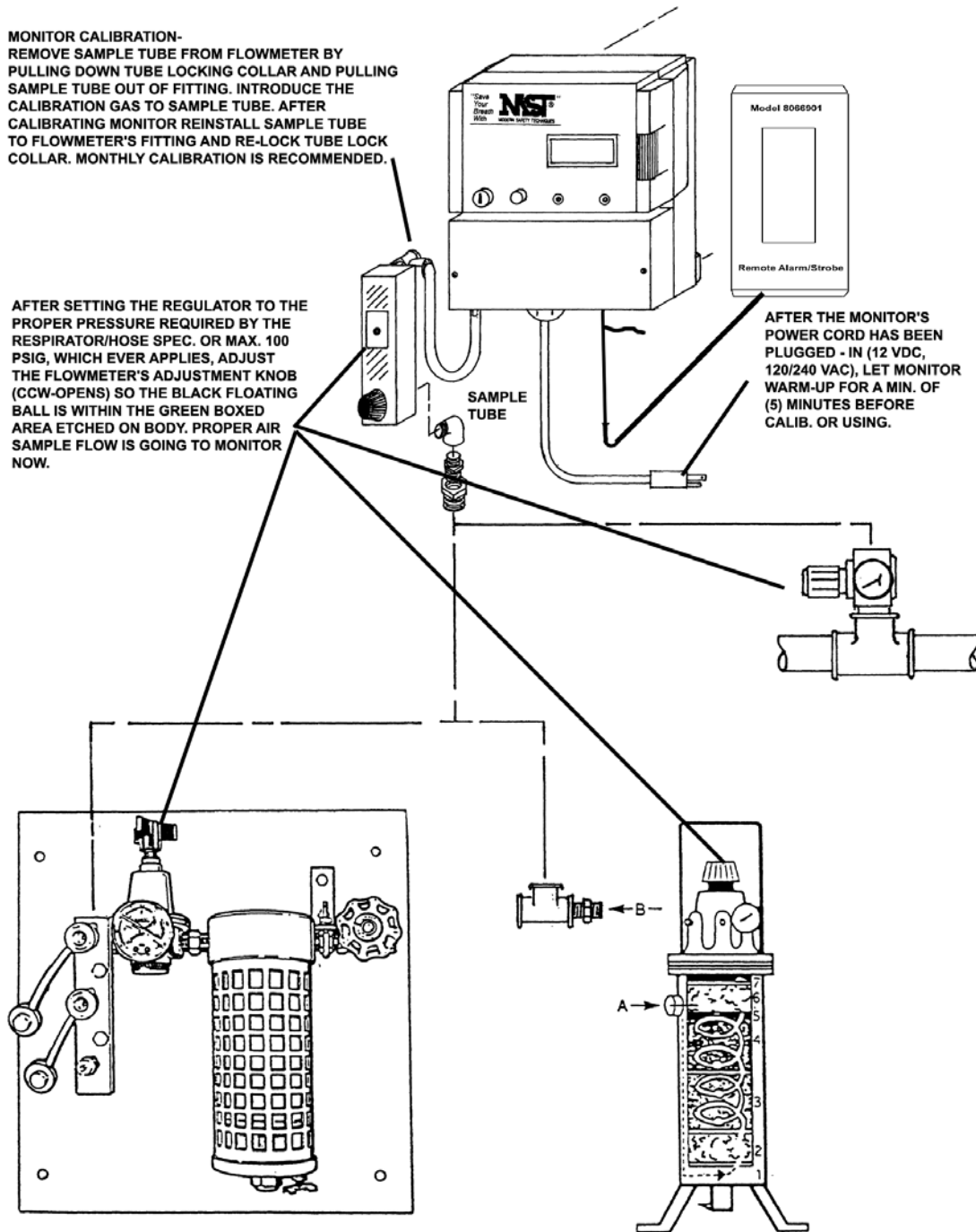
OPERATION INSTRUCTIONS AFTER INSTALLED

MONITOR CALIBRATION-

REMOVE SAMPLE TUBE FROM FLOWMETER BY PULLING DOWN TUBE LOCKING COLLAR AND PULLING SAMPLE TUBE OUT OF FITTING. INTRODUCE THE CALIBRATION GAS TO SAMPLE TUBE. AFTER CALIBRATING MONITOR REINSTALL SAMPLE TUBE TO FLOWMETER'S FITTING AND RE-LOCK TUBE LOCK COLLAR. MONTHLY CALIBRATION IS RECOMMENDED.

AFTER SETTING THE REGULATOR TO THE PROPER PRESSURE REQUIRED BY THE RESPIRATOR/HOSE SPEC. OR MAX. 100 PSIG, WHICH EVER APPLIES, ADJUST THE FLOWMETER'S ADJUSTMENT KNOB (CCW-OPENS) SO THE BLACK FLOATING BALL IS WITHIN THE GREEN BOXED AREA ETCHED ON BODY. PROPER AIR SAMPLE FLOW IS GOING TO MONITOR NOW.

AFTER THE MONITOR'S POWER CORD HAS BEEN PLUGGED - IN (12 VDC, 120/240 VAC), LET MONITOR WARM-UP FOR A MIN. OF (5) MINUTES BEFORE CALIB. OR USING.



" Save
Your
Breath
With **NST**®
MODERN SAFETY TECHNIQUES "

11370 Breininger Rd. Phone: (800) 542-6646
P.O. Box 87 (888) mod-safe
Hicksville, OH 43526 (419) 542-6645
Email: sales@modsafe.com Fax: (419) 542-6475
www.modsafe.com