

**“Save  
Your  
Breath  
With**

**NST<sup>®</sup>**  
**MODERN SAFETY TECHNIQUES**

**11388 Breininger Rd.  
P.O. Box 87  
Hicksville, OH 43526  
Website: [www.modsafe.com](http://www.modsafe.com)**

**Phone: (800) 542-6646  
(888) mod-safe  
(419) 542-6645  
Fax: (419) 542-6475**

**Email: [modsafe@bright.net](mailto:modsafe@bright.net)**

**MODEL 8060601  
CARBON DIOXIDE FILTER  
INSTALLATION,  
OPERATION AND  
MAINTENANCE INSTRUCTIONS**

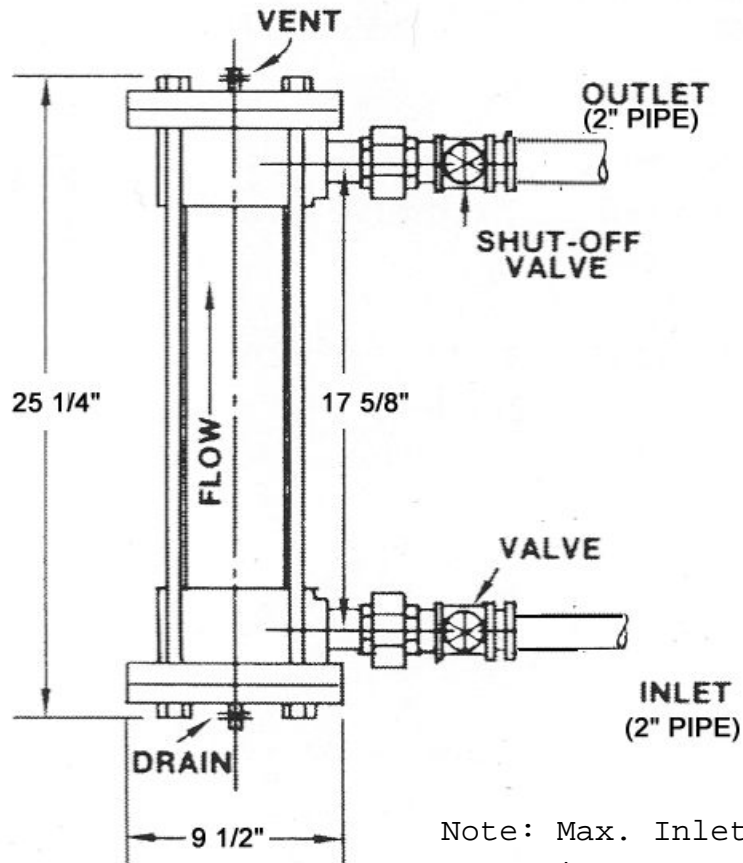
**-WARNING-**

**DUE TO THE REACTIVE NATURE OF THE CO<sub>2</sub> REMOVAL MEDIA, THIS UNIT IS SHIPPED WITHOUT THE MEDIA INSTALLED. THE CO<sub>2</sub> REMOVAL MEDIA KIT, (P/N 8060701), CONTAINS (2) SEALED BAGS OF THE CO<sub>2</sub> REMOVAL MEDIA. THE TWO FINE MESH BAGS OF CO<sub>2</sub> REMOVAL MEDIA MUST BE REMOVED FROM THEIR PROTECTIVE SEALED BAGS AND INSTALLED IN THE HOUSING, AS SHOWN IN THESE INSTRUCTIONS, PRIOR TO USE.**

**WARNING: BLEED ALL PRESSURE FROM SYSTEM BEFORE ATTEMPTING TO SERVICE OR PERFORM ANY TYPE OF MAINTENANCE OR REPAIRS TO THIS UNIT. SERIOUS INJURY OR DEATH COULD RESULT.**



The 8060601 Carbon Dioxide Removal Filter is designed to reduce the levels of CO<sub>2</sub> entering a supplied air respiratory system. The unique filter offers easily replaceable filter cartridges containing a material that removes or reduces the carbon dioxide in compressed breathing air to help provide purified air to workers wearing supplied air respirators.



For maximum efficiency, the 8060601 Carbon Dioxide Filter unit should be installed as indicated in the above diagram. The unit should be installed in a vertical position only and the air flow must be in an upward direction only.

The 8060601 Carbon Dioxide Filter should be installed upstream of the breathing air purification system and downstream from a good quality oil and water filter. This prefiltration is necessary to protect the CO<sub>2</sub> removal media from being contaminated from liquid oils or water. Contaminated filter media will not function properly. Downstream breathing air purification is necessary to protect the worker(s) from any carryover of the CO<sub>2</sub> removal material, should media breakdown occur from high air flows, etc.

## **GENERAL MAINTENANCE AND REPLACEMENT ELEMENT PROCEDURES**

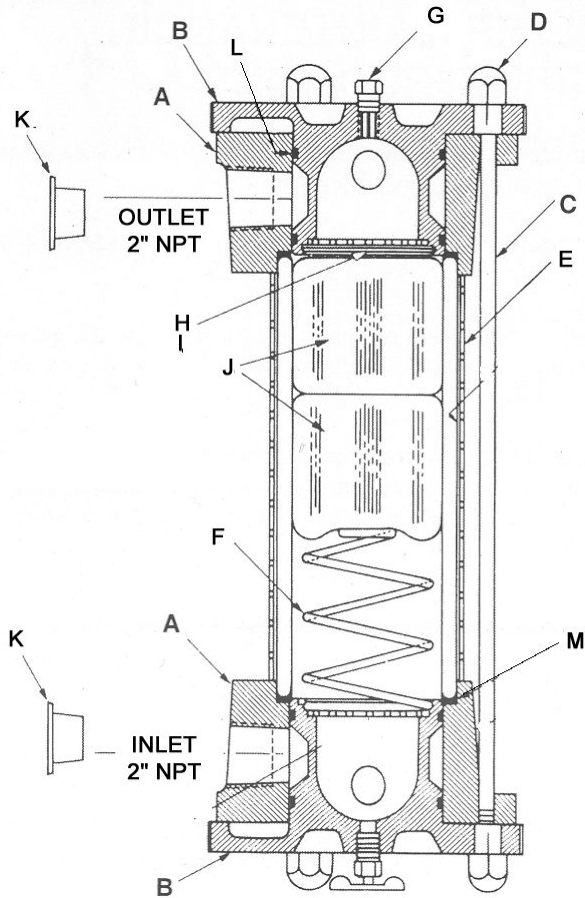
- 1. Close all valves (inlet and outlet) to 8060601 Carbon Dioxide Filter.**
- 2. To vent filter, open drain and vent cocks. Make certain filter is COMPLETELY VENTED and NO pressure remains in the unit before removing end caps.**
- 3. To remove end caps, remove lock screw located on the top and bottom of the end caps. This screw can be identified by a black knurled knob. Utilizing black handle knobs on the edges of the end caps, turn entire end cap counter-clockwise and pull out away from main housing. DO NOT LOOSEN CASTLE NUTS. Both top and bottom end caps should be removed for removal of old cartridges and installation of new media. Examine internal housing for any wear or cleaning service that might be necessary.**
- 4. Before installing the (2) new media fine mesh cartridge bags from the 8060701 kit, install the lower end cap to the filter body housing. Now remove the protective plastic sealed bags from the (2) fine mesh cartridge bags of CO<sub>2</sub> Removal Media and insert from the TOP only. Sewn or knotted ends should be oriented in the direction of airflow. This procedure attains both maximum unit filtering efficiency and cartridge life.**

**Reverse steps 1, 2 and 3 to place unit back in operation. WARNING: MAKE SURE END CAPS ARE FULLY CLOSED BEFORE RE-PRESSURIZING FILTER SYSTEM. SERIOUS INJURY OR DEATH COULD RESULT.**

**MST INC. SHALL NOT BE LIABLE FOR ANY INJURY, LOSS OR DAMAGE, (DIRECT OR CONSEQUENTIAL), ARISING OUT OF THE USE OF OR THE INABILITY TO USE THIS PRODUCT, BEYOND THE REPLACEMENT OF DEFECTIVE MATERIALS OR WORKMANSHIP. USER OF SUPPLIED AIR RESPIRATORS SHOULD EVALUATE THEIR OWN PARTICULAR APPLICATION AND PERFORM THEIR OWN TESTS FOR AIR QUALITY TO DETERMINE THE SUITABILITY FOR USE OF THIS PRODUCT.**

For further information, or questions about service or maintenance care of this unit, contact your local distributor or MST @ (800) 542-6646.

**MODEL 8060601**  
**CARBON DIOXIDE FILTER**  
**PARTS LIST**



ITEM	NO. REQ	PART NO.	DESCRIPTION
A	2	80608	Housing
B	2	80609	End Cap
C	4	80610	Tie Rod
D	8	80611	Castle Nut
E	1	80614	Barrel, Alum
F	1	80612	Spring
G	1	S687-001	Plug, 1/8" NPT
H	1	80613	Snap Ring

ITEM	NO. REQ	PART NO.	DESCRIPTION
I	1	80615	Disc Wire Cloth
J	1	8060701	CO <sub>2</sub> Removal Media Kit (Contains Two Media Cartridges)
K	2	S706-009	Plastic Caps
L	4	80616	O-Ring, End Cap
M	2	80617	O-Ring, Housing