

**" Save
Your
Breath
With** **INST[®]** **MODERN SAFETY TECHNIQUES**

11370 Breininger Rd. Phone: (800) 542-6646
P.O. Box 87 (888) mod-safe
Hicksville, OH 43526 (419) 542-6645
Email: modsafe@bright.net Fax: (419) 542-6475
www.modsafe.com

**PART NUMBER 8060701
CO₂ REMOVAL MEDIA KIT**

-WARNING-

**DUE TO THE REACTIVE NATURE OF THE CO₂ REMOVAL MEDIA
CONTAINED IN THE (2) FINE MESH CARTRIDGE BAGS: THE CARTRIDGE
BAGS ARE SEALED IN PROTECTIVE PLASTIC BAGS. THESE PROTECTIVE
BAGS MUST BE REMOVED PRIOR TO INSTALLING THE MEDIA
CARTRIDGE BAGS IN THE FILTER BODY HOUSING.**

**WARNING: BLEED ALL PRESSURE FROM SYSTEM BEFORE
ATTEMPTING TO SERVICE OR PERFORM ANY TYPE OF
MAINTENANCE OR REPAIRS TO THIS UNIT. SERIOUS INJURY OR
DEATH COULD RESULT.**

GENERAL MAINTENANCE AND REPLACEMENT ELEMENT PROCEDURES

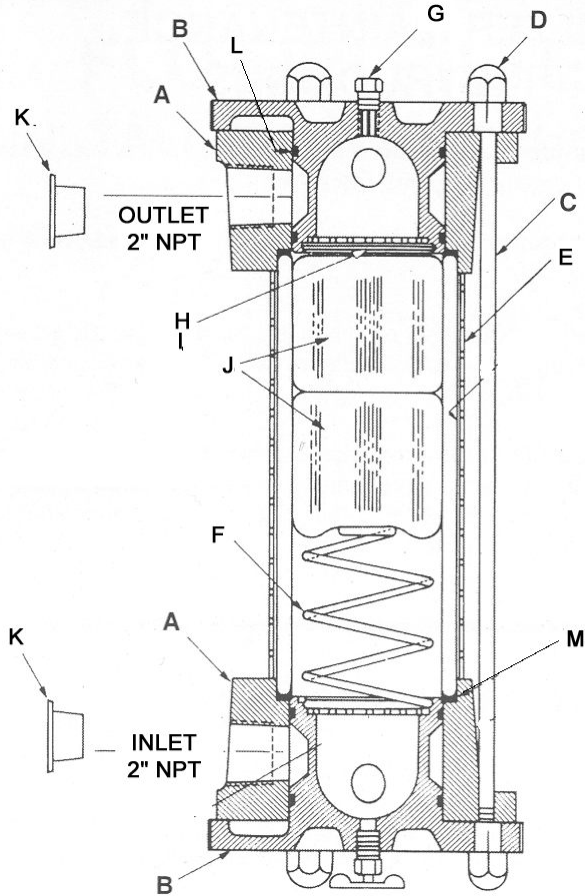
- 1. Close all valves (inlet and outlet) to 8060601 Carbon Dioxide Filter.**
- 2. To vent filter, open drain and vent cocks. Make certain filter is COMPLETELY VENTED and NO pressure remains in the unit before removing end caps.**
- 3. To remove end caps, remove lock screw located on the top and bottom of the end caps. This screw can be identified by a black knurled knob. Utilizing black handle knobs on the edges of the end caps, turn entire end cap counter-clockwise and pull out away from main housing. DO NOT LOOSEN CASTLE NUTS. Both top and bottom end caps should be removed for removal of old cartridges and installation of new media. Examine internal housing for any wear or cleaning service that might be necessary.**
- 4. Before installing the (2) new media fine mesh cartridge bags from the 8060701 kit, install the lower end cap to the filter body housing. Now remove the protective plastic sealed bags from the (2) fine mesh cartridge bags of CO₂ Removal Media and insert from the TOP only. Sewn or knotted ends should be oriented in the direction of airflow. This procedure attains both maximum unit filtering efficiency and cartridge life.**

Reverse steps 1, 2 and 3 to place unit back in operation. WARNING: MAKE SURE END CAPS ARE FULLY CLOSED BEFORE RE-PRESSURIZING FILTER SYSTEM. SERIOUS INJURY OR DEATH COULD RESULT.

MST INC. SHALL NOT BE LIABLE FOR ANY INJURY, LOSS OR DAMAGE, (DIRECT OR CONSEQUENTIAL), ARISING OUT OF THE USE OF OR THE INABILITY TO USE THIS PRODUCT, BEYOND THE REPLACEMENT OF DEFECTIVE MATERIALS OR WORKMANSHIP. USER OF SUPPLIED AIR RESPIRATORS SHOULD EVALUATE THEIR OWN PARTICULAR APPLICATION AND PERFORM THEIR OWN TESTS FOR AIR QUALITY TO DETERMINE THE SUITABILITY FOR USE OF THIS PRODUCT.

For further information, or questions about service or maintenance care of this unit, contact your local distributor or MST @ (800) 542-6646.

MODEL 8060601
CARBON DIOXIDE FILTER
PARTS LIST



ITEM	NO. REQ	PART NO.	DESCRIPTION
A	2	80608	Housing
B	2	80609	End Cap
C	4	80610	Tie Rod
D	8	80611	Castle Nut
E	1	80614	Barrel, Alum
F	1	80612	Spring
G	1	S687-001	Plug, 1/8" NPT
H	1	80613	Snap Ring

ITEM	NO. REQ	PART NO.	DESCRIPTION
I	1	80615	Disc Wire Cloth
J	1	8060701	CO ₂ Removal Media Kit (contains two media cartridges)
K	2	S706-009	Plastic Caps
L	4	80616	O-Ring, End Cap
M	2	80617	O-Ring, Housing